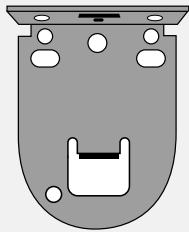
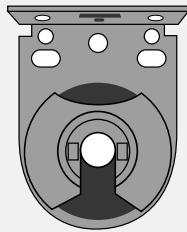


STEP 1: BRACKETS AND MOUNTING

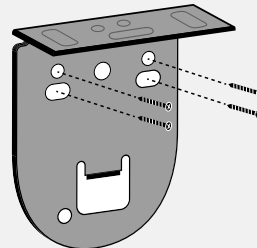
Both a Control-end bracket and a Pin-end bracket have been provided and allow you versatility in mounting depending on your application. You have the option to either affix to the face of a surface or affix to a ceiling or undersurface recess. Mount the brackets where applicable using the measurements provided to assure the roller blind fits securely.



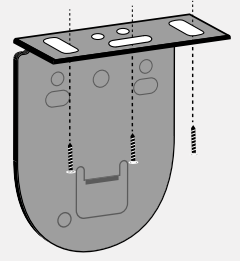
Control-end bracket



Pin-end bracket



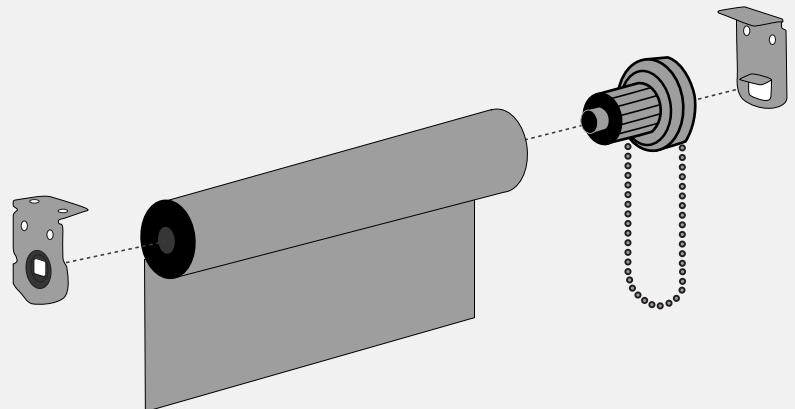
Face-fix



Top-fix

STEP 2: FITTING THE BLIND

- A.** Position the control end of the blind into the bracket.
- B.** Arrange the pin up into the groove of the bracket, push up until level.
- C.** Spin the clear plastic cover and press the pin into place in the bracket.



STEP 3: CHILD SAFETY INSTALLATION

An approved child-safety device is provided with all of our blinds. This device must be fixed to prevent any risk of accidental strangulation. The device is designed to ensure that the operating cords cannot create a loop equal to or greater than 220mm and to be placed less than 1600mm from the floor. To install please follow the below instructions:

- A.** Position the device against the wall and mark the point of the screw-holes with a pencil.
- B.** The cord must be taut. Please ensure the device is less than 1600mm from the floor level and a loop no more than 220mm in length can be made.
- C.** Fix the cord securely to the wall using the components provided.
- D.** If installed correctly with the cord taut, the cord will not be able to be dislodged without removing the approved device from the wall.

