

MADE TO MEASURE ROLLER SHUTTERS

55MM WIDESPAN ROLLER SHUTTER

(Widespan Residential/Light Commercial)



This roller shutter range is made with a precision roll formed roller shutter profile, and is suitable for many widespan applications.

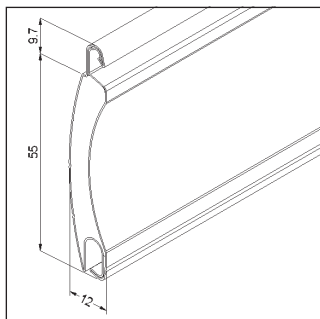
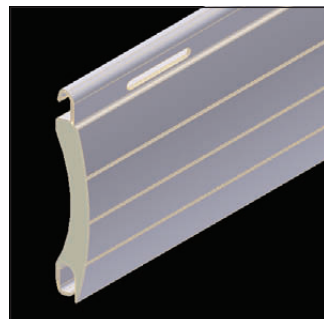
SUITABLE APPLICATIONS

- Domestic Windows.
- Domestic Doorways.
- Garage Doors.
- Light Commercial Shop Fronts & Windows.
- Counter Tops/Serveries.
- Entry Level Security for Factories, Warehouses, Clubs, Pubs & Hotels, Restaurants, Pharmacies & Sports Complexes.

FEATURES

- High quality aluminium alloy construction.
- Foam filled profile for additional strength, security and silent operation.
- High quality painted finish.
- Smooth and curved face profile.
- Roll-tight design.
- Range of colours.
- Double coated + lacquer for abrasion resistant finish.
- Heavy duty steel axle with high quality internal sealed bearings.
- Suitable for widespan widths up to 4500mm.
- Can be manually operated or motorised.
- Made in Australia.

* CW Products recommends the use of Photo Safety Cells and a Safety Brake when installing automated roller shutters over openings and doorways. Especially when the roller shutter is not in full view of the operator (eg. when using a remote control or wall switch positioned away from the roller shutter and out of view). When using a wall switch, we recommend a spring return switch/deadman switch.



TECHNICAL SPECIFICATIONS

Maximum Shutter Width	4500mm
Maximum Shutter Height	3000mm
Maximum Surface Area	10m ²
Curtain Weight/Metre ²	4kg
Number Of Slats/Metre	18
Profile Slat Covering	55mm
Profile Slat Thickness	12mm
Axle Types	Octagonal Steel
Bottom Bar Dimensions	55mm x 8.5mm
Guide Dimensions	68mm x 25mm/18mm
Paint Finish	Polyurethane/Polyamide (PU/PA)
Inner Profile Foam Type	Poly Urethane (CFC Free)

General Note: All dimensions and colours are indicative only and may change without notice. Profile technical specifications and shutter performance may vary in certain applications, eg. wide applications with no solid structure behind the roller shutter. For more information please contact your CW Products representative.

MADE TO MEASURE ROLLER SHUTTERS

PELMET SIZES & MAXIMUM SHUTTER HEIGHT

Pelmet Box Size	Max. No. Of Slats	Max. Shutter Height (Including Pelmet)	Axle Size
180mm	23	1400mm	70mm
205mm	38	2250mm	100mm with adaptor
205mm	42	2450mm	70mm
230mm	52	3000mm	100mm with adaptor
230mm	54	3200mm*	70mm

* Measurement exceeds recommended maximum shutter height. May be allowed if other technical specifications are met. Check with your local CW Products representative.

WIND SPEEDS & MAXIMUM SHUTTER WIDTH

Wind Speed m/sec	Wind Speed km/h	Max. Shutter Width	Max. Surface Area
11.2m/sec	40.32km/h	4500mm	10.5m ²
13m/sec	46.80km/h	4000mm	10m ²
15.8m/sec	56.88km/h	3300mm	8.25m ²
20.4m/sec	73.44km/h	2900mm	7.25m ²
25.9m/sec	93.24km/h	2500mm	6.25m ²
34.9m/sec	125.64km/h	2400mm	6m ²

ROLLER SHUTTER COLOUR OPTIONS

Profiles	Pelmets/Side Frames/Guides/Bottom Bars
Cream	Cream
Magnolia Cream	Magnolia Cream
Clear Beige	Clear Beige
White	White
Shale Grey	Shale Grey
Brown <i>TBD</i>	Brown
Black	Black
Monument	Monument
Silver	Woodland Grey
Woodland Grey	

Powder coated options available (additional charges apply)

TBD - Product to be discontinued in the future or when stock is depleted.

To order please complete a **CW Products Made To Measure Roller Shutter Order Form.**

CONTROL OPTIONS

Manual Options		Motorised Options			
Steel Cable Winder (Up To 50Kg)	Spring Loaded With Key Lock	Remote Control With SolarSmart™ Plus Automation 12V Motor	PowerSmart™ Control System With 12V Motor (Up To 50Kg)*	Wall Switch With 240V Electric Motor	Remote Control With 240V Electric SIMU Hz Motor

Motorised Options (continued)		
Key Switch With 240V Electric Motor	Crank Handle With 240V Electric Manual Override Motor	Remote Control (Key Ring Transmitter) With 240V Electric Motor & Multi-Function SIMU RSA Hz Radio Receiver & Control Unit

* When used in conjunction with an assist spring as per CW Products specifications.