

# MADE TO MEASURE ROLLER SHUTTERS

## 77MM WIDESPAN ROLLER SHUTTER

(Widespan Residential/Commercial)



This roller shutter range is made with a precision roll formed roller shutter profile, and is suitable for many widespan applications.

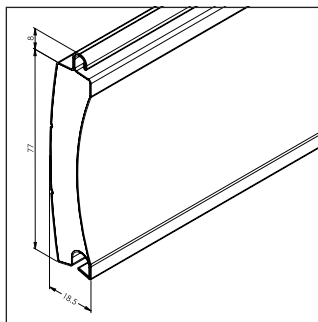
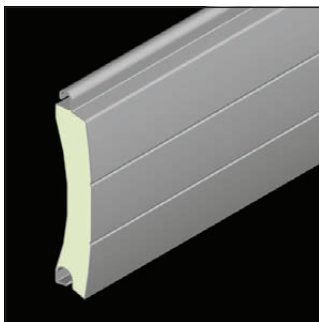
### SUITABLE APPLICATIONS

- Residential Garage Doors.
- Commercial Garage Doors.
- Commercial Windows.
- Commercial Shop Fronts & Doorways.
- Entry Level Security for Factories, Warehouses, Clubs, Pubs & Hotels, Restaurants, Pharmacies & Sports Complexes.

### FEATURES

- High quality aluminium alloy construction.
- Foam filled profile for additional strength, security and silent operation.
- High quality painted finish.
- Smooth and curved face profile.
- Rolls smaller than traditional steel roller doors.
- Range of colours.
- Double coated + lacquer for abrasion resistant finish.
- Comprehensively engineered for extra strength.
- Heavy duty guides and bottom bar.
- Fully enclosed pelmet with internal rollers and reinforcement side plates.
- Suitable for widespan widths up to 5900mm.
- Made in Australia.

\* CW Products recommends the use of Photo Safety Cells and a Safety Brake when installing automated roller shutters over openings and doorways. Especially when the roller shutter is not in full view of the operator (eg. when using a remote control or wall switch positioned away from the roller shutter and out of view). When using a wall switch, we recommend a spring return switch/deadman switch.



### TECHNICAL SPECIFICATIONS

Maximum Shutter Width	5900mm
Maximum Shutter Height	3000mm
Maximum Surface Area	15m <sup>2</sup> (depending on wind zone)
Curtain Weight/Metre <sup>2</sup>	5kg
Number Of Slats/Metre	13
Profile Slat Covering	77mm
Profile Slat Thickness	18.5mm
Axle Types	Octagonal or Round Steel
Bottom Bar Dimensions	106mm x 19mm
Guide Dimensions	105mm x 37mm/26mm
Paint Finish	Polyurethane/Polyamide (PU/PA)
Inner Profile Foam Type	Poly Urethane (CFC Free)

General Note: All dimensions and colours are indicative only and may change without notice. Profile technical specifications and shutter performance may vary in certain applications, eg. wide applications with no solid structure behind the roller shutter. For more information please contact your CW Products representative.

# MADE TO MEASURE ROLLER SHUTTERS

## PELMET SIZES & MAXIMUM SHUTTER HEIGHT

Pelmet Box Size	Max. No. Of Slats	Max. Shutter Height (Including Pelmet)	Axle Size
250mm	23	2000mm	101mm with adaptor
250mm	21	1800mm	130mm with adaptor
300mm	39	3200mm*	101mm with adaptor
300mm	36	3000mm	150mm with adaptor

\* Measurement exceeds recommended maximum shutter height. May be allowed if other technical specifications are met. Check with your local CW Products representative.

## WIND SPEEDS & MAXIMUM SHUTTER WIDTH

Wind Speed m/sec	Wind Speed km/h	Max. Shutter Width	Max. Surface Area
11.2m/sec	40.32km/h	4400mm	13.23m <sup>2</sup>
13m/sec	46.80km/h	3520mm	10.56m <sup>2</sup>
15.8m/sec	56.88km/h	3060mm	9.18m <sup>2</sup>
20.4m/sec	73.44km/h	2670mm	8.01m <sup>2</sup>

## CONTROL OPTIONS

### Motorised Options



Wall Switch  
With 240V  
Electric Motor



Remote Control  
With 240V  
Electric SIMU Hz  
Motor



Key Switch  
With 240V  
Electric Motor



Crank Handle  
With 240V  
Electric Manual  
Override Motor



Remote Control  
(Key Ring Transmitter)  
With 240V  
Electric Motor &  
Multi-Function SIMU  
RSA Hz Radio Receiver  
& Control Unit

## ROLLER SHUTTER COLOUR OPTIONS

Profiles	Pelmets/Side Frames/Guides/Bottom Bars
Cream <i>TBD</i>	Cream
Clear Beige <i>TBD</i>	Clear Beige
White	White
Shale Grey	Shale Grey
Brown <i>TBD</i>	Brown
Black	Black
Monument	Monument
Silver	Woodland Grey
Woodland Grey	

*TBD* - Product to be discontinued in the future or when stock is depleted.

Powder coated options available (additional charges apply)

To order please complete a [CW Products Made To Measure Roller Shutter Order Form](#).