

MADE TO MEASURE ROLLER SHUTTERS

CYCLONESAFE™ ROLLER SHUTTER

Protects Property And Families!



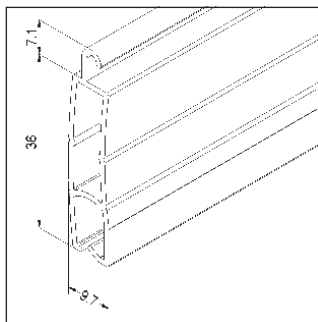
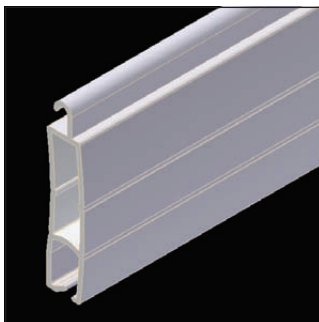
This roller shutter is ideal for home and business owners who want to protect their property and families from cyclones, tropical storms and extreme wind coastal weather conditions. It is made with a precision extruded roller shutter profile.

SUITABLE APPLICATIONS

- Domestic & Commercial Windows.
- Domestic & Commercial Doorways.
- Commercial Shop Fronts.
- High Security & Storm Protection for Factories, Warehouses, Mining Sites & Camps, Clubs, Pubs & Hotels, Restaurants, Pharmacies, Sports Complexes, Arcades, Shopping Mall Entrances & High Security Areas.

FEATURES

- Cyclone rated up to C4.
- Tested by James Cook University.
- Complies with AS/NZS1170.2:2011 all relevant wind & cyclone standards.
- Cyclic Fatigue Loading in accordance with AS4040.3:1992.
- Design Pressure Testing in accordance with AS4055:2012 (For Housing) & AS/NZS4505:2012 (For Garage & Large Access Doors).
- Can be used in all Australian Cyclone Regions including **Cyclone Region C4** at 1500mm wide.
- High quality, strong aluminium alloy construction.
- Commercial grade double wall extruded profile for heavy duty strength & extreme wind protection.
- Double line grooved and slight curved face profile.
- Roll-tight design.
- Range of colours.
- High quality powder coated finish.
- Heavy duty steel axle with high quality internal sealed bearings.
- Suitable for shutter widths up to 2700mm (2400mm in NT).
- Suitable for door widths up to 3000mm (2400mm in NT).
- Can be manually operated or motorised (Manual with steel cable up to 5m²).
- Compatible with SolarSmart™ Plus and PowerSmart™.
- CycloneSafe™ Authentication Plate fitted.
- Made in Australia.



TECHNICAL SPECIFICATIONS

Cyclone Rating	Up To C4
Max Window Shutter Width	Up To 2700mm (2400mm in NT)
Max Roller Door Width	Up To 3000mm (2400mm in NT)
Maximum Shutter Height	Up To 3000mm
Maximum Surface Area	9m ²
Curtain Weight/Metre ²	7.5kg
Number Of Slats/Metre	28
Profile Slat Covering	36mm
Profile Slat Thickness	9.7mm
Axle Types	Octagonal Steel
Bottom Bar Dimensions	55mm x 8.5mm
Guide Dimensions	68mm x 22mm (Heavy Duty Cyclone Guide)
Paint Finish	High Quality Powder Coat Finish

General Note: All dimensions and colours are indicative only and may change without notice. Profile technical specifications and shutter performance may vary in certain applications, eg. wide applications with no solid structure behind the roller shutter. For more information please contact your CW Products representative.

MADE TO MEASURE ROLLER SHUTTERS

PELMET SIZES & MAXIMUM SHUTTER HEIGHT WINGED SLAT LOCKS

Pelmet Box Size	Max. No. Of Slats	Max. Shutter Height (Including Pelmet)	Axle Size
180mm	38	1350mm	60mm
205mm	46	1650mm	70mm
230mm	62	2300mm	70mm
250mm	72	2600mm	70mm
300mm	81	3000mm	70mm with adaptor

ROLLER SHUTTER COLOUR OPTIONS

Profiles	Pelmets/Side Frames/Guides/Bottom Bars
Cream	Cream
Magnolia Cream	Magnolia Cream
Clear Beige	Clear Beige
White	White
Shale Grey	Shale Grey
Black	Brown
Monument	Black
Anodised Silver	Monument
Woodland Grey	Woodland Grey

Powder coated options available (additional charges apply)

ROLLER SHUTTER & ROLLER DOOR WIDTHS & CYCLONE RATINGS

Roller Shutter Width	Cyclonic Wind Speed	Shutter Rated Pressure	Cyclone Rating
1500mm	83m/sec 298.80km/h	6.30 kPa	C4
1800mm	70m/sec 252.00km/h	4.50 kPa	C3
2100mm	63m/sec 226.80km/h	3.54 kPa	C3
2400mm	58m/sec 208.80km/h	3.00 kPa	C2
*2700mm	53m/sec 190.80km/h	2.51 kPa	C2

Roller Door Width	Cyclonic Wind Speed	Door Rated Pressure	Cyclone Rating
1500mm	87m/sec 313.20km/h	6.86 kPa	C4
1800mm	76m/sec 273.60km/h	5.23 kPa	C4
2100mm	67m/sec 241.20km/h	4.07 kPa	C3
2400mm	62m/sec 223.20km/h	3.48 kPa	C3
*2700mm	56m/sec 201.60km/h	2.84 kPa	C2
*3000mm	52m/sec 187.20km/h	2.60 kPa	C2

* Not valid for NT. Note: The structure to which the shutter is attached shall be designed and certified independently by a suitably qualified engineer. No extrapolation of any tabled results is permitted.

CONTROL OPTIONS

Manual Options Motorised Options



Steel Cable Winder (Up To 50Kg)



Spring Loaded With Key Lock



Remote Control With SolarSmart™ Plus Automation 12V Motor (Up To 50Kg)



PowerSmart™ Control System With 12V Motor (Up To 50Kg)*



Wall Switch With 240V Electric Motor



Remote Control With 240V Electric SIMU Hz Motor

* When used in conjunction with an assist spring as per CW Products specifications.

Motorised Options (continued)



Key Switch With 240V Electric Motor



Crank Handle With 240V Electric Manual Override Motor



Remote Control (Key Ring Transmitter) With 240V Electric Motor & Multi-Function SIMU RSA Hz Radio Receiver & Control Unit

CYCLONESAFE™ AUTHENTICATION PLATE

All CycloneSafe™ shutters are fitted with an Authentication Plate with Serial Number to ensure genuine product and product performance that meets Australian Standards.



* CW Products recommends the use of Photo Safety Cells and a Safety Brake when installing automated roller shutters over openings and doorways. Especially when the roller shutter is not in full view of the operator (eg. when using a remote control or wall switch positioned away from the roller shutter and out of view). When using a wall switch, we recommend a spring return switch/deadman switch.

To order please complete a **CW Products Made To Measure Roller Shutter Order Form**.