

# MADE TO MEASURE ROLLER SHUTTERS

## EASYVIEW™ ROLLER SHUTTER

NEW POLYCARBONATE PROFILE

Brings The Outdoors Indoors!



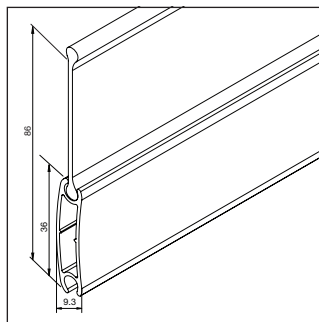
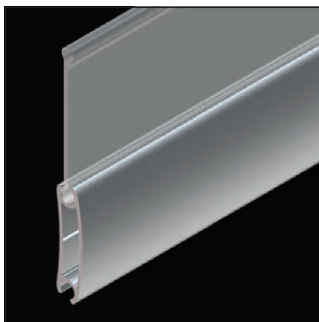
This roller shutter system is made with a combination of a precision extruded aluminium profile and a transparent, UV resistant polycarbonate profile, which provides added security and permanent views of the outdoors. It is suitable for many domestic and commercial applications.

### SUITABLE APPLICATIONS

- Domestic Verandah & Patio Enclosures.
- Terrace Restaurants & Cafes.
- Internal Separation Barriers.
- Counter Tops/Serveries.
- Shopping Centre Closures.

### FEATURES

- High quality, strong aluminium alloy and polycarbonate construction.
- Commercial grade double wall extruded profile for heavy duty strength.
- **NEW UV resistant 60mm polycarbonate profile.**
- **NEW stronger, larger & clearer polycarbonate profile with 20% more light & vision.**
- **NEW high rigidity bottom bar (compatible with bottom bar foot).**
- High quality powder coated finish for maximum abrasion resistance.
- Roll-tight design.
- Range of colours.
- Heavy duty steel axle with high quality internal sealed bearings.
- Fully retractable into an enclosed pelmet.
- Suitable for widespan widths up to 4400mm.
- Can be manually operated or motorised.
- Made in Australia.



### TECHNICAL SPECIFICATIONS

Maximum Shutter Width	4400mm
Maximum Shutter Height	3000mm
Maximum Surface Area	10m <sup>2</sup>
Curtain Weight/Metre <sup>2</sup>	4.7kg
Number Of Slats/Metre	11.6 (combined aluminium & polycarb slats)
Profile Slat Covering	36mm Aluminium/60mm Polycarb
Profile Slat Thickness	9.3mm Aluminium/4mm Polycarb
Axle Types	Steel (minimum roll 100mm)
Bottom Bar Dimensions	60mm x 11.5mm
Guide Dimensions	68mm x 25mm/14mm (Heavy Duty Guide)
Paint Finish	High Quality Powder Coat Finish

\* CW Products recommends the use of Photo Safety Cells and a Safety Brake when installing automated roller shutters over openings and doorways. Especially when the roller shutter is not in full view of the operator (eg. when using a remote control or wall switch positioned away from the roller shutter and out of view). When using a wall switch, we recommend a spring return switch/deadman switch.

Note: EasyView is suitable for internal & external use in low to medium wind environments. For high wind applications exceeding 25 km/h please consult a professional engineer to determine suitability or contact your CW Products representative. The EasyView product warranty does not cover excessive wind damage.

General Note: All dimensions and colours are indicative only and may change without notice. Profile technical specifications and shutter performance may vary in certain applications, eg. wide applications with no solid structure behind the roller shutter. For more information please contact your CW Products representative.

# MADE TO MEASURE ROLLER SHUTTERS

## PELMET SIZES & MAXIMUM SHUTTER HEIGHT WINGED SLAT LOCKS

Pelmet Box Size	Max. No. Of Slats	Max. Shutter Height (Including Pelmet)	Axle Size
180mm	16	1400mm	101mm with adaptor
205mm	18	1600mm	130mm
205mm	24	2100mm	101mm with adaptor
230mm	28	2400mm	130mm
230mm	34	2900mm	101mm with adaptor
250mm	37	3200mm*	130mm
250mm	41	3500mm*	101mm with adaptor

\* Measurement exceeds recommended maximum shutter height. May be allowed if other technical specifications are met. Check with your local CW Products representative.

## WIND SPEEDS & MAXIMUM SHUTTER WIDTH


Wind Speed m/sec	Wind Speed km/h	Max. Shutter Width	Max. Surface Area
11.2m/sec	40.32km/h	4400mm	13.23m <sup>2</sup>
13m/sec	46.80km/h	3520mm	10.56m <sup>2</sup>
15.8m/sec	56.88km/h	3060mm	9.18m <sup>2</sup>
20.4m/sec	73.44km/h	2670mm	8.01m <sup>2</sup>

## ROLLER SHUTTER COLOUR OPTIONS




Profiles	Pelmets/Side Frames/Guides/Bottom Bars
Cream	Cream
Magnolia Cream	Magnolia Cream
Clear Beige	Clear Beige
White	White
Shale Grey	Shale Grey
Black	Brown
Monument	Black
Anodised Silver	Monument
Woodland Grey	Woodland Grey
Clear Polycarbonate	Powder coated options available (additional charges apply)
Tinted Polycarbonate	

To order please complete a **CW Products Made To Measure Roller Shutter Order Form.**

## CONTROL OPTIONS

Manual Options	Motorised Options
 <p>Steel Cable Winder (Up To 50Kg)*</p>	 <p>Remote Control With SolarSmart™ Plus Automation 12V Motor (Up To 50Kg)</p>
 <p>Spring Loaded With Key Lock (Up To 3.2m Wide)</p>	 <p>PowerSmart™ Control System With 12V Motor (Up To 50Kg)†*</p>
 <p>Crank Handle With Gear Ace (Up To 30Kg) See Page 43 For Universal Joint Position Options For Gear Ace Shutters</p>	 <p>Wall Switch With 240V Electric Motor*</p>

† When used in conjunction with an assist spring as per CW Products specifications.  
\* Control options must be installed in an indoor environment.

Motorised Options (continued)			
 <p>Remote Control With 240V Electric SIMU Hz Motor</p>	 <p>Key Switch With 240V Electric Motor</p>	 <p>Crank Handle With 240V Electric Manual Override Motor</p>	 <p>Remote Control (Key Ring Transmitter) With 240V Electric Motor &amp; Multi-Function SIMU RSA Hz Radio Receiver &amp; Control Unit</p>