

MADE TO MEASURE ROLLER SHUTTERS

42MM SINGLE LINE ROLLER SHUTTER

(Residential/Light Commercial)



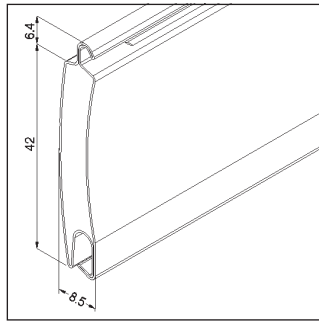
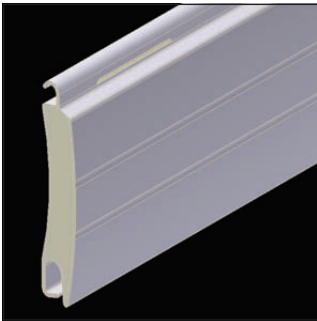
This roller shutter range is made with a precision roll formed roller shutter profile.

SUITABLE APPLICATIONS

- Domestic Windows.
- Domestic Doorways.
- Light Commercial Shop Fronts & Windows.
- Counter Tops/Serveries.

FEATURES

- High quality aluminium alloy construction.
- Foam filled profile for additional strength and silent operation.
- High quality painted finish.
- Smooth and curved face profile.
- Roll-tight design.
- Wide range of colours.
- Double coated + lacquer for abrasion resistant finish.
- Machine inserted profile end clips providing extra shutter strength.
- High quality internal sealed bearings.
- Suitable for widths up to 3200mm.
- Can be manually operated or motorised.
- Made in Australia.



TECHNICAL SPECIFICATIONS

Maximum Shutter Width	3200mm
Maximum Shutter Height	2600mm
Maximum Surface Area	7m ²
Curtain Weight/Metre ²	3.2kg
Number Of Slats/Metre	24
Profile Slat Covering	42mm
Profile Slat Thickness	8.5mm
Axle Types	Octagonal Aluminium or Steel
Bottom Bar Dimensions	55mm x 8.5mm
Guide Dimensions	53mm x 22mm (68mm x 22mm/15mm Guide Upgrade available at additional cost)
Paint Finish	Polyurethane/Polyamide (PU/PA)
Inner Profile Foam Type	Poly Urethane (CFC Free)

General Note: All dimensions and colours are indicative only and may change without notice. Profile technical specifications and shutter performance may vary in certain applications, eg. wide applications with no solid structure behind the roller shutter. For more information please contact your CW Products representative.



MADE TO MEASURE ROLLER SHUTTERS

PELMET SIZES & MAXIMUM SHUTTER HEIGHT

Pelmet Box Size	Max. No. Of Slats	Max. Shutter Height (Including Pelmet)	Axle Size
150mm	31	1300mm	60mm
165mm	41	1700mm	60mm
180mm	52	2200mm	60mm
205mm	67	2850mm*	60mm
230mm	93	3900mm*	60mm

* Measurement exceeds recommended maximum shutter height. May be allowed if other technical specifications are met. Check with your local CW Products representative.

WIND SPEEDS & MAXIMUM SHUTTER WIDTH

Wind Speed m/sec	Wind Speed km/h	Max. Shutter Width	Max. Surface Area
11.2m/sec	40.32km/h	3200mm	9.7m ²
13m/sec	46.80km/h	3010mm	9.03m ²
15.8m/sec	56.88km/h	2550mm	7.65m ²
20.4m/sec	73.44km/h	2180mm	6.54m ²
25.9m/sec	93.24km/h	1990mm	5.82m ²
34.9m/sec	125.64km/h	1940mm	5.37m ²

ROLLER SHUTTER COLOUR OPTIONS

Profiles	Pelmets/Side Frames/Guides/Bottom Bars
Cream	Cream
Magnolia Cream	Magnolia Cream
Clear Beige	Clear Beige
White	White
Shale Grey	Shale Grey
Brown	Brown
Beige	Black
Green	Monument
Red	Woodland Grey
Bronze <i>TBD</i>	
Black	
Monument	
Silver	
Deep Ocean	
Woodland Grey	
Jasper	

Powder coated options available (additional charges apply)

TBD - Product to be discontinued in the future or when stock is depleted.

CONTROL OPTIONS

Manual Options



Strap Winder (Up To 20Kg)



Cord Winder (Up To 20Kg)



Steel Cable Winder (Up To 50Kg)



Strap Coiler (Up To 20Kg)



Cord Coiler (Up To 20Kg)



Spring Loaded With Key Lock

Motorised Options



Remote Control With SolarSmart™ Plus Automation 12V Motor



PowerSmart™ Control System With 12V Motor



Wall Switch With 240V Electric Motor



Remote Control With 240V Electric SIMU Hz Motor



Key Switch With 240V Electric Motor



Crank Handle With 240V Electric Manual Override Motor

To order please complete a [CW Products Made To Measure Roller Shutter Order Form](#).